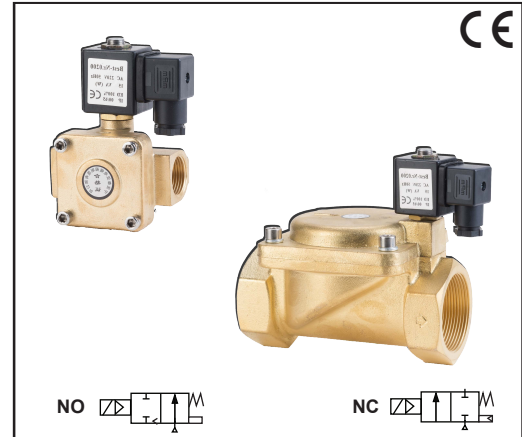


Features

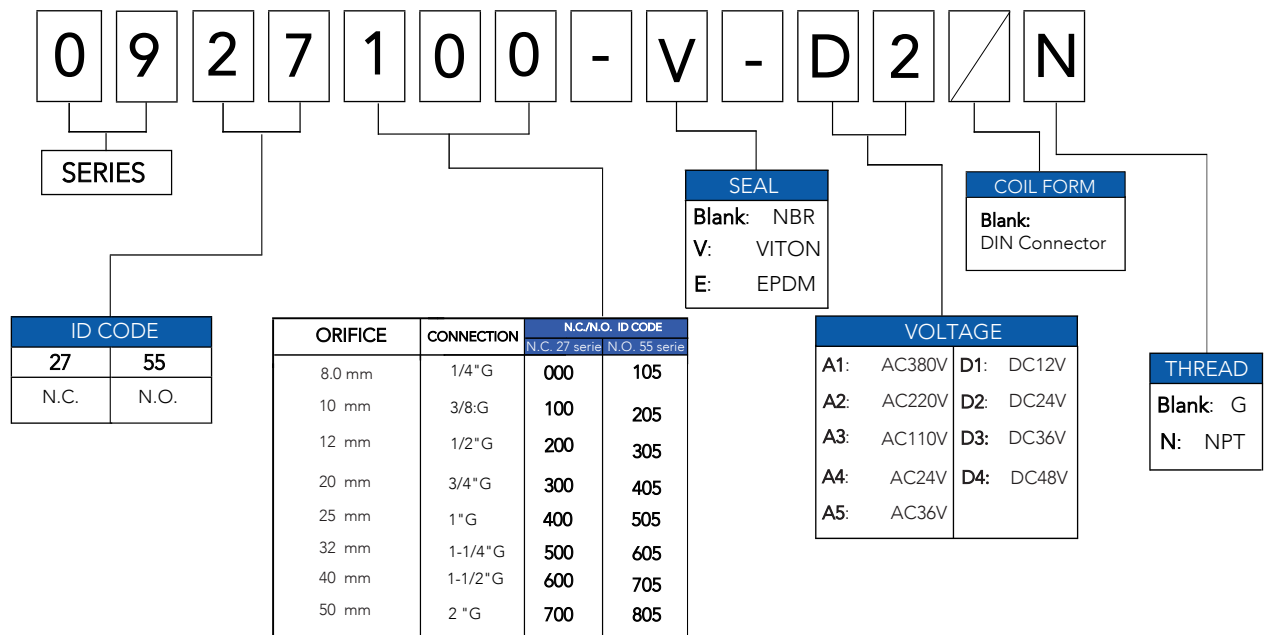
- Solenoid pilot valve control, structure is simple and compact.
- Flowing direction should consistent with sign on valve.
- Random installation site.
- Piloted solenoid valve coil could be interchanged. It could replace 0201 solenoid head as 0270, 0271, it's EXm I/II T4 explosion-proof valve.



Electrical

Standard Coil	Watt Rating and Power Consumption				Spare Coil Part Number			
	DC Watt	AC			General Purpose		Explosionproof	
		Watt	VA Holdin	VA Inrus	AC	DC	AC	DC
F	13	16	35	53	0927-0201-AC	0927-0201-AC	XHD-1661-AC	XHD-0981-AC
F	13	16	35	53	0927-0270-AC	0927-0270-AC	XHD-1661-DC	XHD-0981-DC

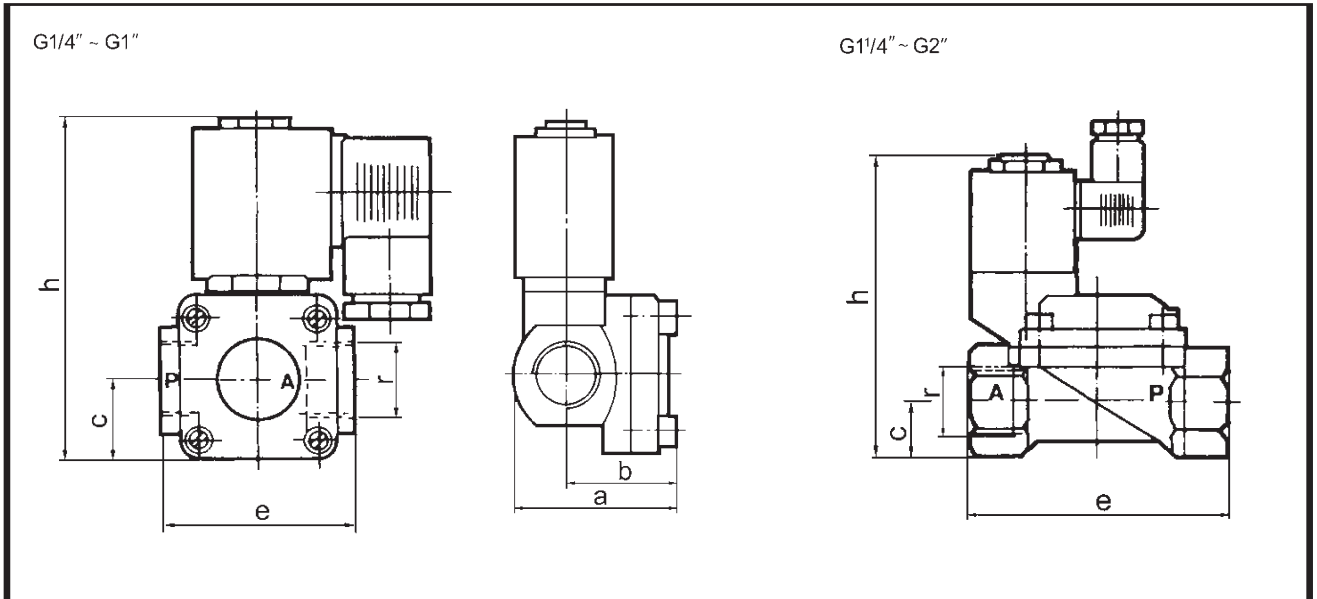
Ordering Code



Order Example:

0955 series N.O. 2/2 ways solenoid valve, 3/4" port size, VITON seals, DC24V, DIN connector coil, BSPP (G) thread.
SENYA part#0955300-D2

Dimensions Sheet (mm)



Model	Port size (r)	Working Type	Orifice	A	C	H		
0927000	1/4"	N.C.	8 mm	45	31.5	22	53	97
0927100	3/8"	N.C.	10 mm	45	31.5	22	53	97
0927200	1/2"	N.C.	12 mm	45	31.5	22	53	97
0927300	3/4"	N.C.	20 mm	65	44	30	86	113
0927400	1"	N.C.	25 mm	65	44	30	86	113
0927500	1-1/4"	N.C.	32 mm	95	47	31	132	136
0927600	1-1/2"	N.C.	40 mm	95	47	31	132	136
0927700	2"	N.C.	50 mm	112	55	39.5	160	155
0955105	1/4"	N.O.	8 mm	45	31.5	22	53	114
0955205	3/8"	N.O.	10 mm	45	31.5	22	53	114
0955305	1/2"	N.O.	12 mm	45	31.5	22	53	114
0955405	3/4"	N.O.	20 mm	65	44	30	86	130
0955505	1"	N.O.	25 mm	65	44	30	86	130
0955605	1-1/4"	N.O.	32 mm	95	47	31	132	153
0955705	1-1/2"	N.O.	40 mm	95	47	31	132	153
0955805	2"	N.O.	50 mm	112	55	39.5	160	172

Pilot Operated
General Service Solenoid Valve
 Brass Bodies
 1/4" to 2" BSPP



Specifications (Metric units)

Pipe Size (in)	Orifice Size (mm)	CV Flow Factor	Operating Pressure Differential (Bar)									Max. Fluid Temp. °C		Brass Body	Stainless Steel 304	Watt Rating/ Class of Coil Insulation	
			Min.	Max. AC			Max. DC			AC	DC	Catalog Number	Catalog Number			AC	DC
				Air-Inert Gas	Water	Light Oil less 50 CST	Air-Inert Gas	Water	Light Oil less 50 CST								
NORMALLY CLOSED (Closed when de-energized)																	
1/4	8	1.2	0.7	16	16	10	16	16	10	80	80	0927000-A2	-	17.1/F	-		
1/4	8	1.2	0.7	16	16	10	16	16	10	150	150	0927000-E-A2	-	-	11.6/F		
1/4	8	1.2	0.7	16	16	10	16	16	10	150	150	0927000-V-A2	-	17.1/F	40.6H		
3/8	10	1.8	0.7	16	16	10	16	16	10	80	80	0927100-A2	-	16.1/F	30.8/F		
3/8	10	1.8	0.7	16	16	10	16	16	10	150	150	0927100-E-A2	-	16.1/F	30.8/F		
3/8	10	1.8	0.7	16	16	10	16	16	10	150	150	0927100-V-A2	-	6.1/F	11.6/F		
F/G	FG	3.6	0.7	16	16	10	16	16	10	80	80	0927200-A2	-	16.1/F	30.8/F		
F/G	FG	3.6	0.7	16	16	10	16	16	10	150	150	0927200-E-A2	-	16.1/F	30.8/F		
F/G	FG	3.6	0.7	16	16	10	16	16	10	150	150	0927200-V-A2	-	6.1/F	11.6/F		
3/4	20	5.10	0.7	16	16	10	16	16	10	80	80	0927300-A2	-	20.1/F	-		
3/4	20	5.10	0.7	16	16	10	16	16	10	150	150	0927300-E-A2	-	10.1/F	11.6/F		
3/4	20	5.10	0.7	16	16	10	16	16	10	150	150	0927300-V-A2	-	6.1/F	11.6/F		
1	25	12	1	16	16	10	16	16	10	80	80	0927400-A2	-	16.1/F	30.8/F		
1	25	12	1	16	16	10	16	16	10	150	150	0927400-E-A2	-	16.1/F	30.8/F		
1	25	12	1	16	16	10	16	16	10	150	150	0927400-V-A2	-	17.1/F	-		
1-1/4	32	24	1	16	16	10	16	16	10	80	80	0927500-A2	-	-	11.6/F		
1-1/4	32	24	1	16	16	10	16	16	10	150	150	0927500-E-A2	-	17.1/F	40.6H		
1-1/4	32	24	1	16	16	10	16	16	10	150	150	0927500-V-A2	-	16.1/F	30.8/F		
1-1/2	40	29	1	16	16	10	16	16	10	80	80	0927600-A2	-	16.1/F	30.8/F		
1-1	40	29	1	16	16	10	16	16	10	150	150	0927600-E-A2	-	6.1/F	11.6/F		
1-1/2	40	29	1	16	16	10	16	16	10	150	150	0927600-V-A2	-	16.1/F	30.8/F		
2	50	48	1	16	16	10	16	16	10	80	80	0927700-A2	-	16.1/F	30.8/F		
2	50	48	1	16	16	10	16	16	10	150	150	0927700-E-A2	-	6.1/F	11.6/F		
2	50	48	1	16	16	10	16	16	10	150	150	0927700-V-A2	-	20.1/F	-		
1/4	8	1.2	0.7	16	16	10	16	16	10	80	80	0927105-A2	-	10.1/F	11.6/F		
1/4	8	1.2	0.7	16	16	10	16	16	10	150	150	0927105-E-A2	-	6.1/F	11.6/F		
1/4	8	1.2	0.7	16	16	10	16	16	10	150	150	0927105-V-A2	-	16.1/F	30.8/F		
3/8	10	1.8	0.7	16	16	10	16	16	10	80	80	0927205-A2	-	16.1/F	30.8/F		
3/8	10	1.8	0.7	16	16	10	16	16	10	150	150	0927205-E-A2	-	6.1/F	11.6/F		
3/8	10	1.8	0.7	16	16	10	16	16	10	150	150	0927205-V-A2	-	20.1/F	-		
F/G	FG	3.6	0.7	16	16	10	16	16	10	80	80	0927305-A2	-	10.1/F	11.6/F		
F/G	FG	3.6	0.7	16	16	10	16	16	10	150	150	0927305-E-A2	-	6.1/F	11.6/F		
F/G	FG	3.6	0.7	16	16	10	16	16	10	150	150	0927305-V-A2	-	16.1/F	30.8/F		
3/4	20	5.10	0.7	16	16	10	16	16	10	80	80	0927405-A2	-	16.1/F	30.8/F		
3/4	20	5.10	0.7	16	16	10	16	16	10	150	150	0927405-E-A2	-	17.1/F	-		
3/4	20	5.10	0.7	16	16	10	16	16	10	150	150	0927405-V-A2	-	-	11.6/F		
1	25	12	1	16	16	10	16	16	10	80	80	0927505-A2	-	17.1/F	40.6H		
1	25	12	1	16	16	10	16	16	10	150	150	0927505-E-A2	-	16.1/F	30.8/F		
1	25	12	1	16	16	10	16	16	10	150	150	0927505-V-A2	-	16.1/F	30.8/F		
1-1/4	32	24	1	16	16	10	16	16	10	80	80	0927605-A2	-	6.1/F	11.6/F		
1-1/4	32	24	1	16	16	10	16	16	10	150	150	0927605-E-A2	-	16.1/F	30.8/F		
1-1/4	32	24	1	16	16	10	16	16	10	150	150	0927605-V-A2	-	16.1/F	30.8/F		
1-1/2	40	29	1	16	16	10	16	16	10	80	80	0927705-A2	-	6.1/F	11.6/F		
1-1/2	40	29	1	16	16	10	16	16	10	150	150	0927705-E-A2	-	20.1/F	-		
1-1/2	40	29	1	16	16	10	16	16	10	150	150	0927705-V-A2	-	10.1/F	11.6/F		
2	50	48	1	16	16	10	16	16	10	80	80	0927805-A2	-	6.1/F	11.6/F		
2	50	48	1	16	16	10	16	16	10	150	150	0927805-E-A2	-	16.1/F	30.8/F		
2	50	48	1	16	16	10	16	16	10	150	150	0927805-V-A2	-	16.1/F	30.8/F		

***Note:**

Standard Voltages must be specified when ordering. Other voltages please consult SENYA staff for more details