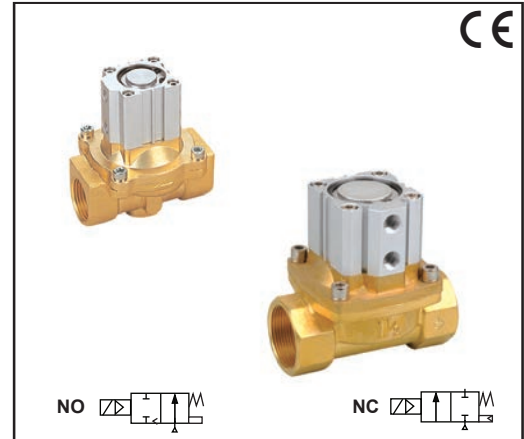


Pneumatic Pilot Operated  
**Pneumatic Angle Valve**Brass Bodies  
1/4" to 2" BSPP**SENYA**<sup>®</sup>

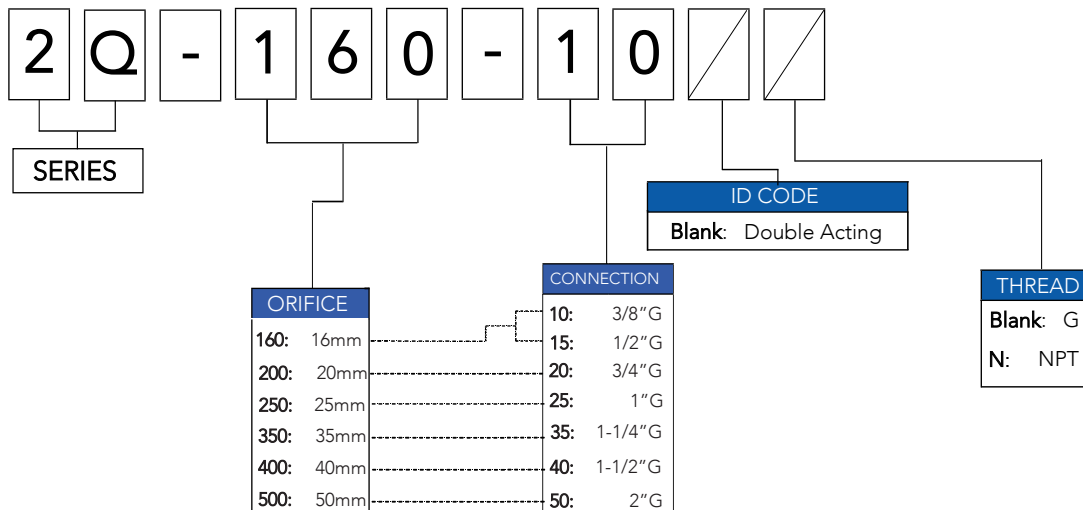
SENYA SOLENOID

**Features**

- Low starting pressure of the valve, close the high sensitivity, good sealing performance, any imports direction.
- Category deadline, plate, single and double acting control structure.
- Now widely used in food, medicine, industry, washing, petrochemical, metallurgy, spray, vehicles and other machinery and equipment.
- Medium temperature: -10~+180°C .

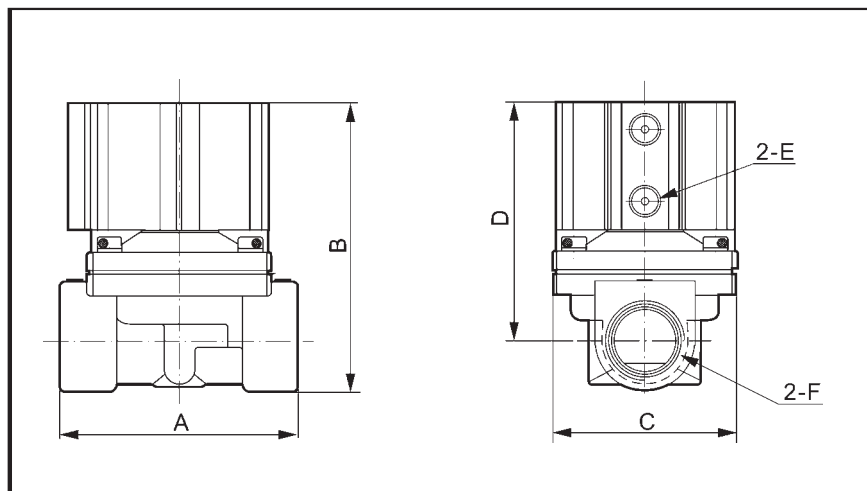


Model	2Q160-10/15	2Q200-20	2Q250-25	2Q350-35	2Q400-40	2Q500-50
Orifice	16mm	20mm	25mm	35mm	40mm	50mm
CV Value	4.8	12	7.6	24	29	48
Port Size	1/4" / 1/2"	3/4"	1"	1 1/4"	1 1/2"	2"
Working-pressure Range	0-0.7 Mpa		Operating Temperature Range		0.3-0.6 Mpa	
Max. Pressure Resistance	1.05 Mpa		Control Pressure Range		-5~100°C	
Material of Oil Seal	PTFE					
Actuator Port Size	2*M5	2*G1/8"	2*G1/8"	2*G1/4"	2*G1/4"	2*G1/4"
Actuator Bore Size	20 mm	20 mm	32 mm	50 mm	50 mm	63 mm

**Ordering Code****Order Example:**

2Q series double acting type 2/2 ways pneumatic pilot valve, 3/4" port size, BSPP (G) thread.  
**SENYA part#2Q250-25**

**Dimensions Sheet (mm)**



Model	A	B	C	D	E	K(G)
2Q160-10	66	83	57	70.5	M5	1/4"
2Q160-15	66	83	57	70.5	M5	1/2"
2Q200-20	92	108	78	87.5	1/8"	3/4"
2Q250-25	92	108	78	87.5	1/8"	1"
2Q350-35	125	125	95	100.5	1/4"	1 1/4"
2Q400-40	125	131	95	102.5	1/4"	1 1/2"
2Q500-50	168	152	125	117	1/4"	2"

**Specifications (Metric units)**

Pipe Size (mm)	Orifice Size (mm)	CV Flow Factor	Operating Pressure Differential (Bar)						Max. Fluid Temp. °C		Stainless Steel Seat and Plastic Actuator	Full Stainless Steel 304	Watt Rating/Class of Coil Insulation			
			Max. Working Pressure			Control Pressure			AC	DC			Catalog Number	Catalog Number	AC	DC
			Min.	Air-Inert Gas	Water	Light Oil less 50 CST	Min.	Max.								
<b>NORMALLY CLOSED (Closed when de-energized)</b>																
1/4"	16	4.8	0	7	7	7	3	6	180	180	2Q160-10		-	-		
1/2"	16	4.8	0	7	7	7	3	6	180	180	2Q160-15		-	-		
3/4"	20	7.6	0	7	7	7	3	6	180	180	2Q200-20		-	-		
1"	25	12.0	0	7	7	7	3	6	180	180	2Q250-25		-	-		
1 1/4"	35	24.0	0	7	7	7	3	6	180	180	2Q350-35		-	-		
1 1/2"	40	29.0	0	7	7	7	3	6	180	180	2Q400-40		-	-		
2"	50	48.0	0	7	7	7	3	6	180	180	2Q500-50		-	-		